

A-60/120



PUBLIC ADDRESS AMPLIFIER

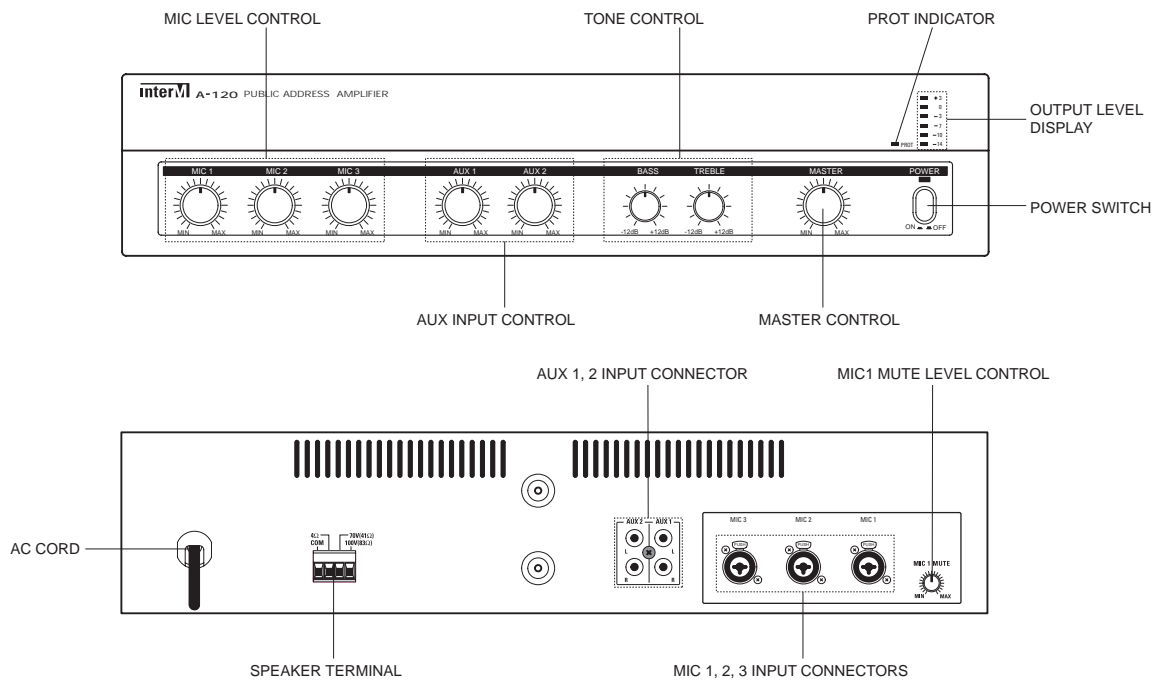


FEATURES

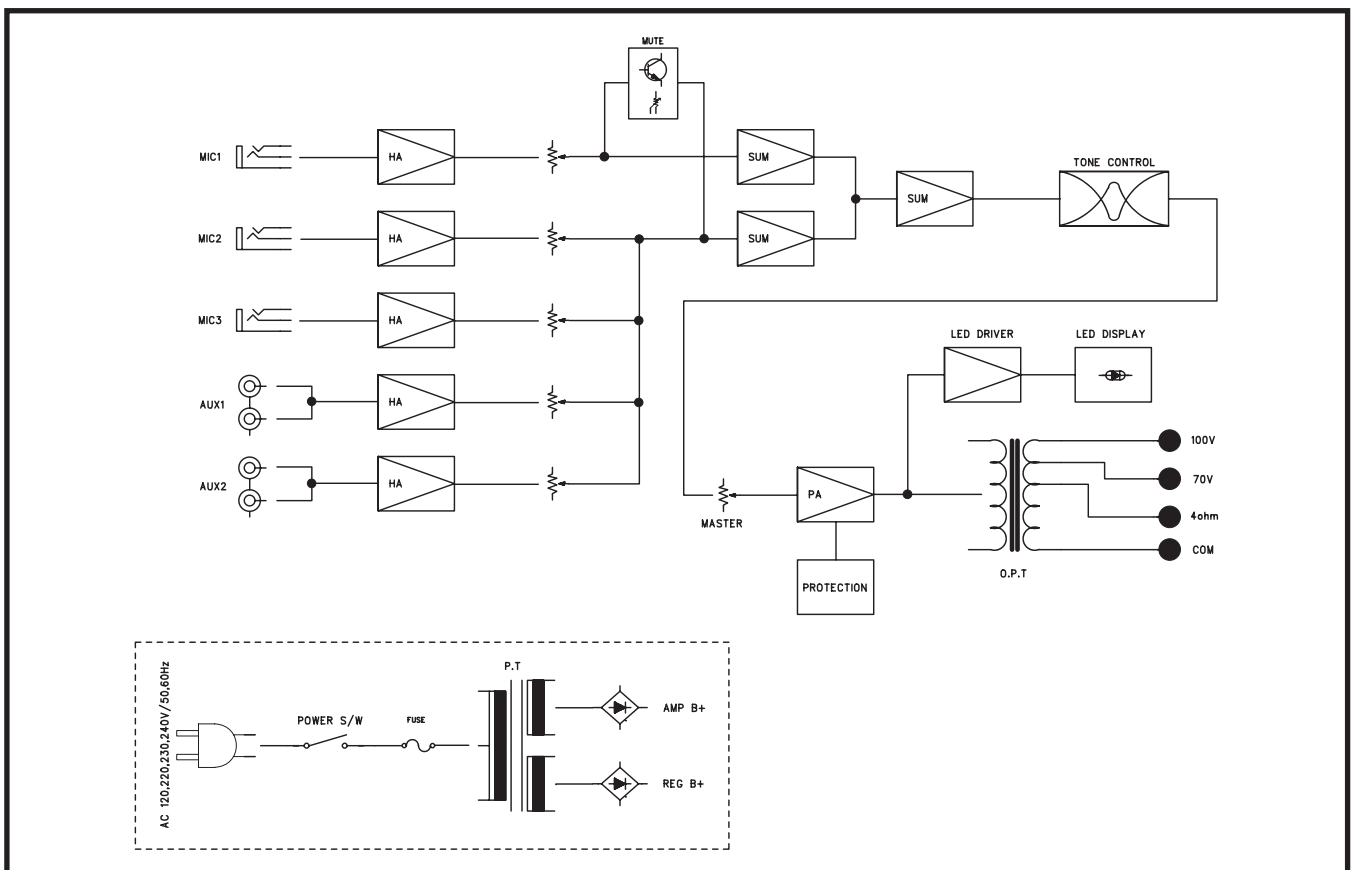
- High Power, Low Distortion
60W (A-60) or 120W (A-120) of RMS power, with less than 1% THD.
- Versatile and Easy to Use
Three Mic inputs, two Aux Inputs.
- Priority Muting
Mic1 input mutes other inputs when in use.
- Flexible Design
Mono 4Ω or 70V/100V High-Impedance Outputs.
- Tone Control
Separate Bass and Treble controls to tailor your sound.

SPECIFICATIONS

- ELECTRICAL * 0dB=0.775Vrms
 - Rated Output/Impedance
..A-60:15.5V/4Ω, 25V/10.4Ω, 70V/81.6Ω, 100V/166.7Ω
A-120:21.9V/4Ω, 25V/5.2Ω, 70V/40.8Ω, 100V/83.3Ω
 - Input Sensitivity/Impedance
MIC 1~3.....-60dB/600Ω, BAL
AUX 1.....-10dB/10kΩ, UNBAL
AUX 2.....+3dB/10kΩ, UNBAL
 - Frequency Response(±3dB).....80Hz~16kHz
 - T.H.DLess than 1%
 - S/N
MICMore than 50dB
AUXMore than 75dB
 - Tone Control
HIGH(10kHz)±12dB
LOW(100Hz)±12dB
- GENERAL
 - Power Source100-120VAC or 220-240VAC; 50/60Hz
(Supplied AC mains transformer depends on country requirements)
 - Power ConsumptionA-60:75W
A-120:105W
 - WeightA-60:8.9kg/19.6lb
A-120:10.3kg/22.7lb
 - Dimensions.....420(W) × 88(H) × 320(D)mm
16.5(W) × 3.5(H) × 12.6(D)mm



BLOCK DIAGRAM



OFFICE : 653-5 BANGHAK-DONG, DOBONG-KU, SEOUL, KOREA TEL : 82-2-2289-8140~8, FAX : 82-2-2289-8149
 Home page : <http://www.inter-m.com> E-mail : export@inter-m.com